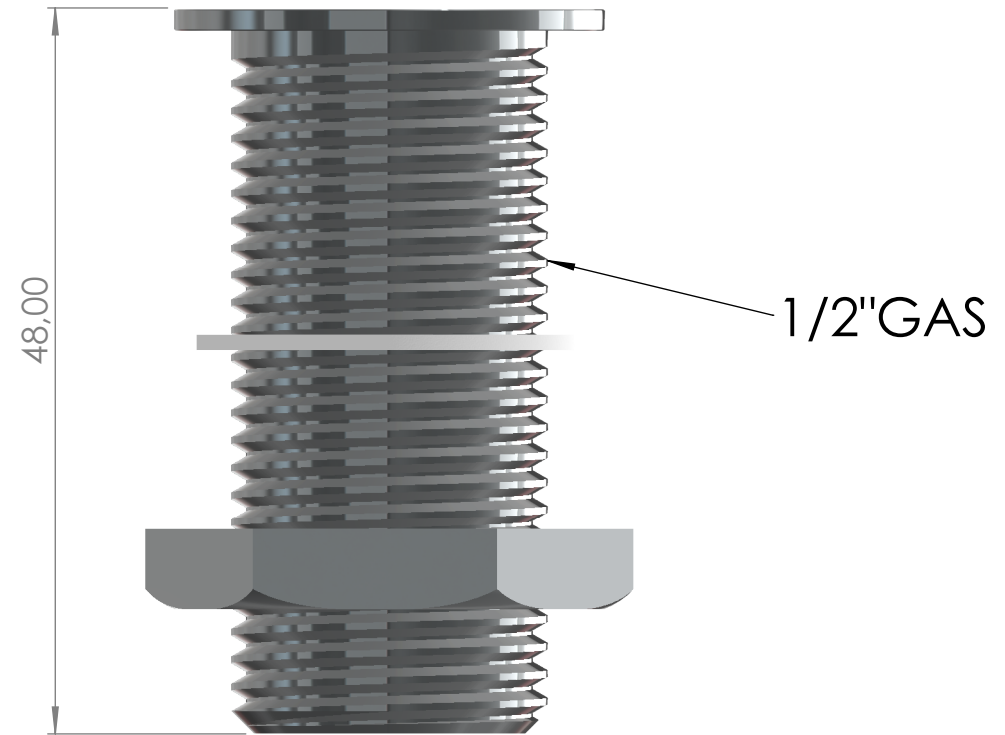
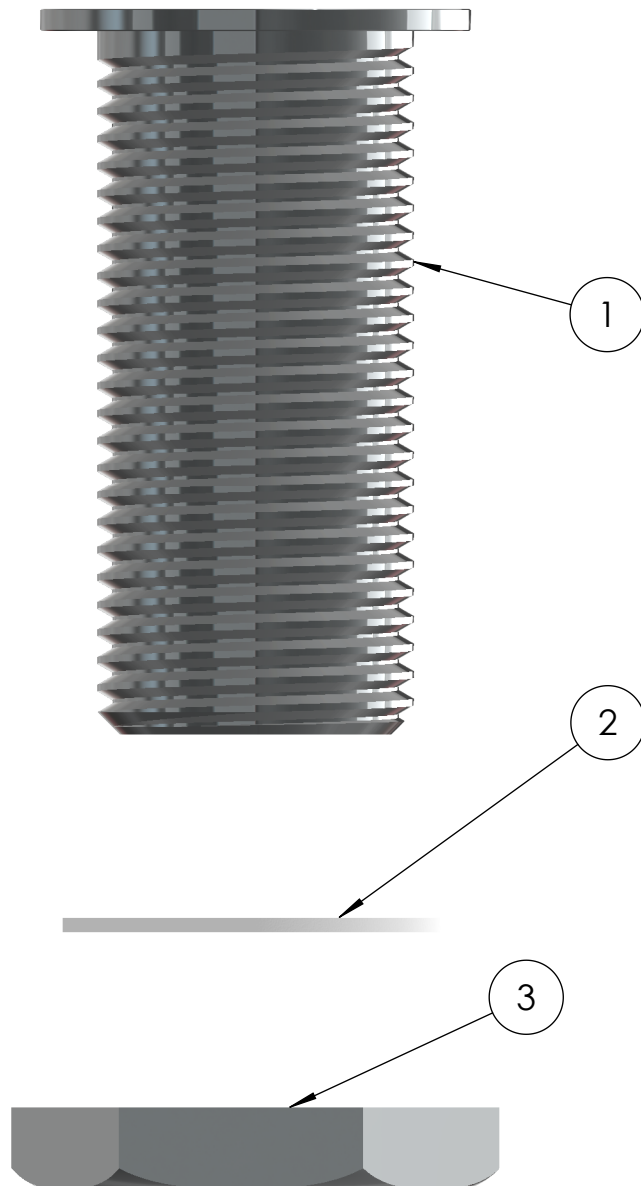



# M2:1



Material brass	Material Code: DIN 2.0402	Surface: nickel plated	Item Nr.: ABLAUFMS
Designer: Aaron G.	Date: 17.01.2019	File:	Sheet: 1/1
 <b>RAFFEINER</b>		Item:	Confidential: Property of Raffiner GmbH, Naturns, Italy. Not to be handed over to, copied or used by third party. Two- or three dimensional reproduction of contents to be authorized by Raffiner GmbH
		Ablauf Messing	